

# CRIOSMALL 6

(SMALL LOW PRESSURE CRYOGENIC DEWAR)

## TECHNICAL SPECIFICATION :

- Compact dewar with liquid or gas withdrawal, capacity from 30 to 100 L
- High performance : low evaporation rate, maximum dewar reliability and durability
- Stainless steel vessel designed to provide long life, ideal for liquid nitrogen, oxygen and argon storage and transport
- Lowest evaporation rate thanks to High vacuum and thermal insulation
- Supplied with pressure building circuit and regulator kit fitted as standard
- Designed and built according to ADR and TPED directives. Delivered with the relative declaration of conformity.
- Inner vessel internally accessible for easy inspection and cleaning

## OPTIONAL DEVICES :

- Gas withdrawal evaporation system
- Pressure indicator with 4 ÷ 20 mA transmitter
- Barton differential pressure level indicator
- Level indicator with GSM device

## ACCESSORIES :

- Handling trolley (N° 4 wheels) for moving on flat surfaces
- Trolley (N° 3 Wheels) for use on unpaved surfaces
- Filling and emptying cryogenic pipeline with security valve
- Outlet connection by client requirements

## CUSTOMIZATION :

- Our cryogenic cylinders can have different volumes from the standard and they can be personalized on specific client requirements



CRIOSMALL 6 bar	Ext. diameter	Max operative pressure	VS1* calibration	VS2 calibration
Specifications	450 mm	6 bar	1 ÷ 6 bar	6 bar

\* depending on client requirements

## CRIOSMALL 6

CRIOSMALL 6	50 L
Overall height (mm)	880
Weight (empty) (Kg)	47
Total weight - Nitrogen (Kg)	88
Total weight - Oxygen (Kg)	106
Total weight - Argon (Kg)	119
Capacity (litri)	51.0
Net Capacity (litri)	50.0

NORMAL EVAPORATION RATE (Kg/day) **	
Nitrogen	1.70
Oxygen	1.60
Argon	2.05

\*\* Test performed at the saturation pressure of 0 bar at room temperature

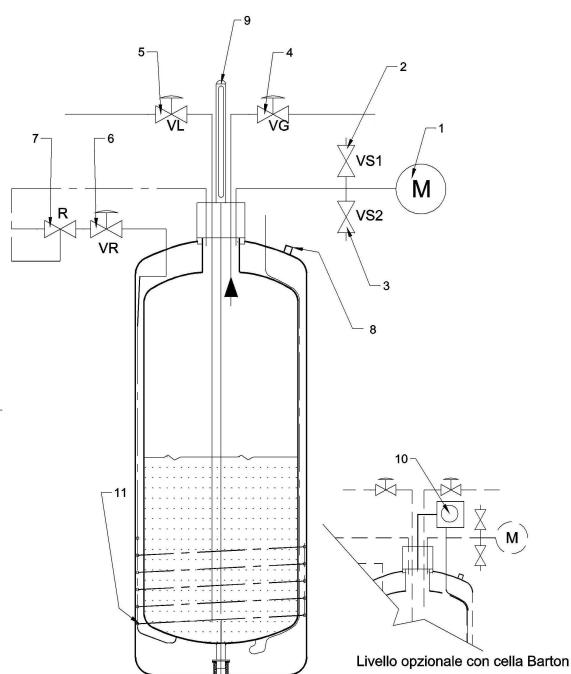
### ASSISTANCE :

HVM ensures fast and complete service thanks to an assorted spare parts stock in Livorno, all the spare parts are also available for sale.

### WARRANTY :

Standard : the one year-old guarantee covers all the mechanical parts and the vacuum under normal used condition

Extension : is possible to extend the vacuum guarantee till 5 year-old.



CRIOSMALL P&ID (liquid withdrawal)

N°	Descrizione	Funzione
1	Pressure gauge	Visual reading of internal pressure.
2	VS1 valve with T-PED marking	Primary safety valve.
3	VS2 valve with T-PED marking	Secondary safety valve.
4	VL valve	Liquid withdrawal or filling manual valve.
5	VG valve	Manual vent valve for de-aeration
6	VR valve	Manual building pressure valve
7	R Regulating valve	Pressure regulator / Economizer
8	Pressure relief valve for outer jacket	Safety device and coupling for vacuum operations
9	Visual level indicator	Indicates the level of liquid in the tank
10	Barton DP gauge As an option to position 9	Dial indication of liquid level by differential measuring of the pressures between the bottom and top of the tank.
11	Pressure coil	Coil for tank pressurisation

HVM can make changes, as a result of technical improvements, without notice.

High Vacuum Maintenance S.r.l.

Viale Padre Nicola Magri, 112 - 57121 Livorno (LI) Tel. (+39) 0586 867485 - Fax (+39) 0586 856249  
Email [info@hvm-ll.com](mailto:info@hvm-ll.com) Web [hvm-ll.com](http://hvm-ll.com)